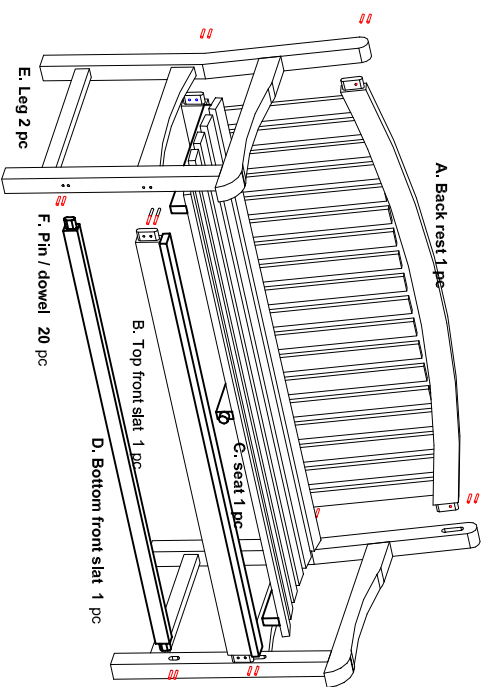


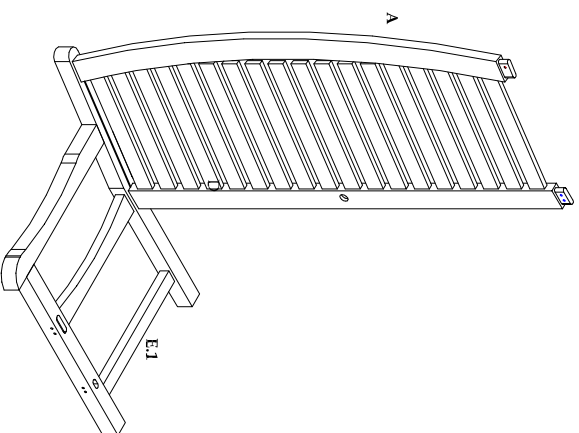
ASSEMBLING INSTRUCTION

TOP OVAL BENCH 5 "

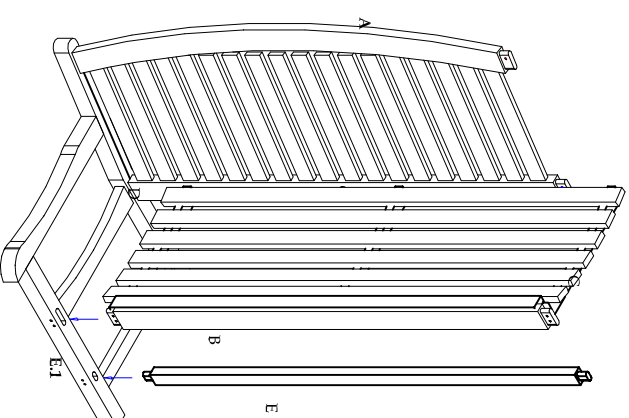
PART AND HARDWARE



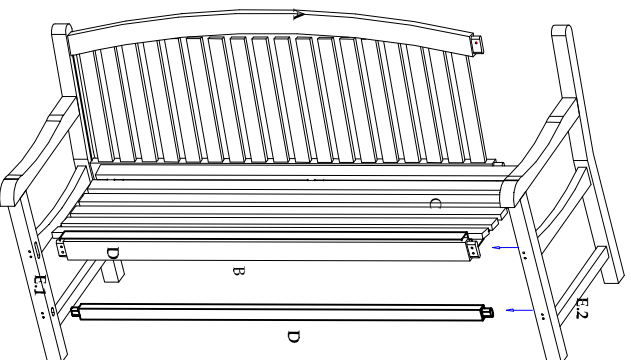
STEP 1



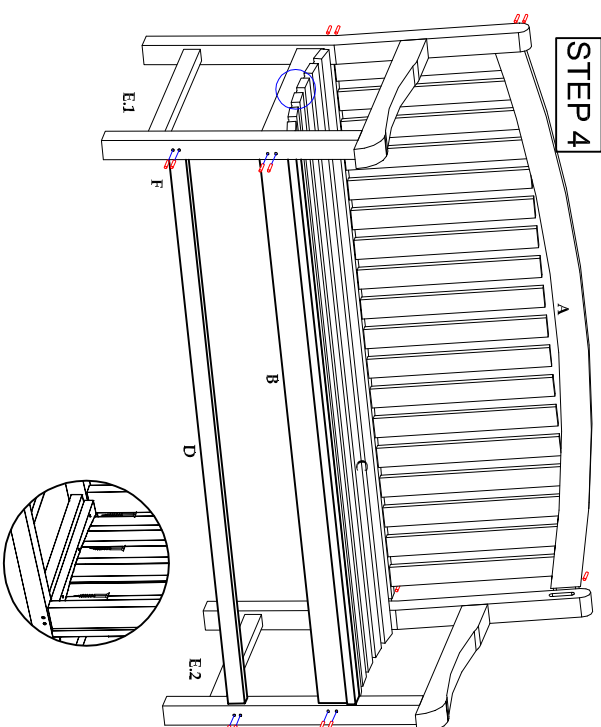
STEP 2



STEP 3



STEP 4



STEP 5

