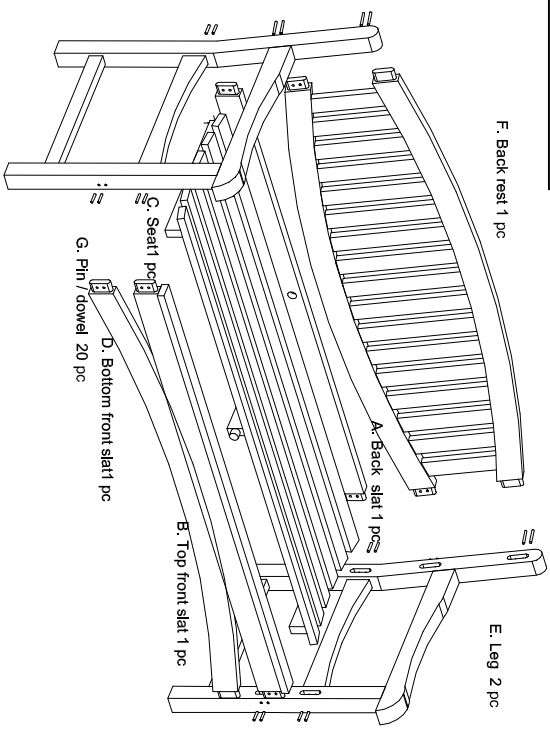
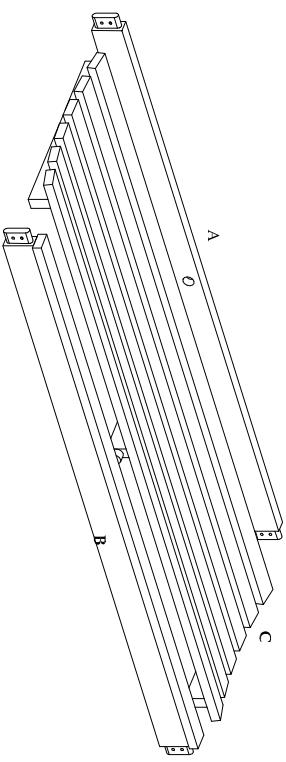


# ASSEMBLING INSTRUCTION EYE BACK BENCH 5 "

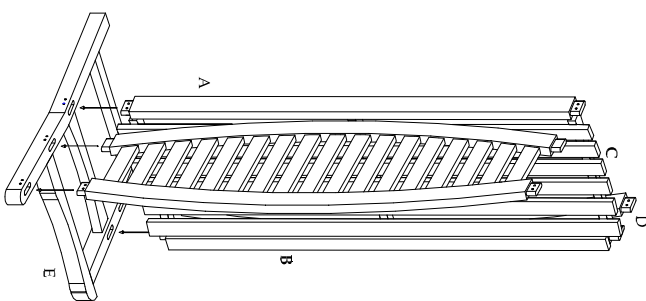
**PART AND HARDWARE**



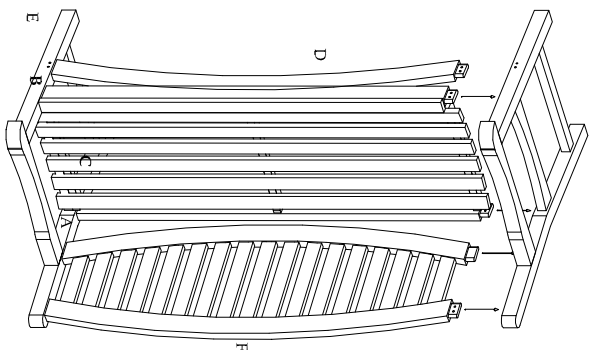
**STEP 1**



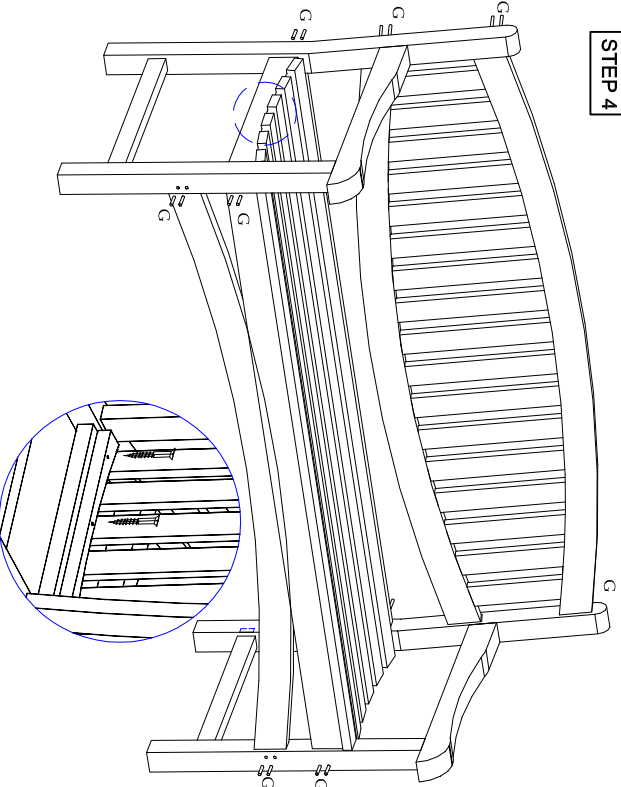
**STEP 2**



**STEP 3**



**STEP 4**



**STEP 5**

