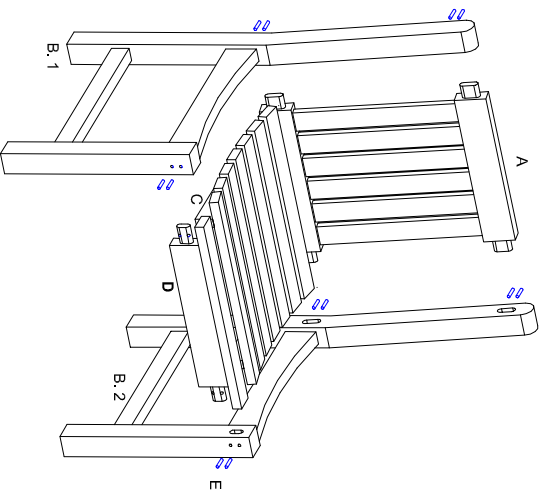


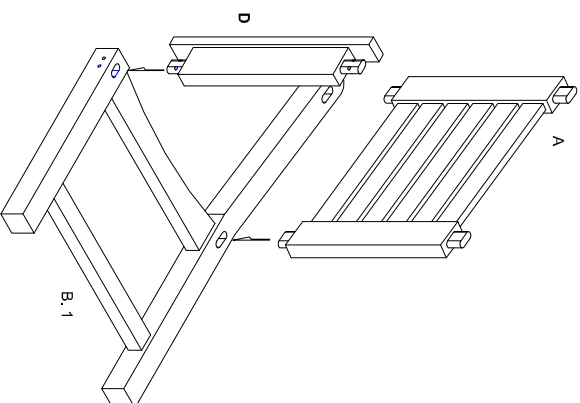
ASSEMBLING INSTRUCTION CLASSIC TEAK SIDE CHAIR

PART AND HARDWARE

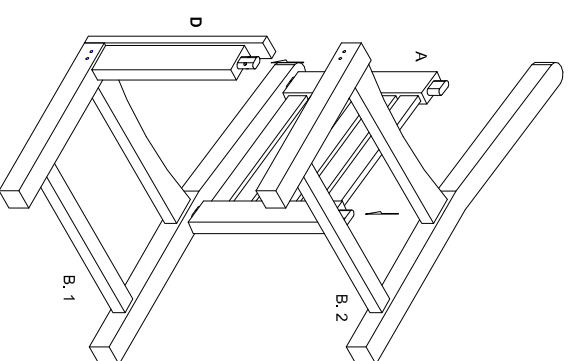
- A. BACK REST 1 PC
- B. LEG 2 PC
- C. SEAT 1 PC
- D. FRONT RAIL 1 PC
- E. DOWELL 12 PC



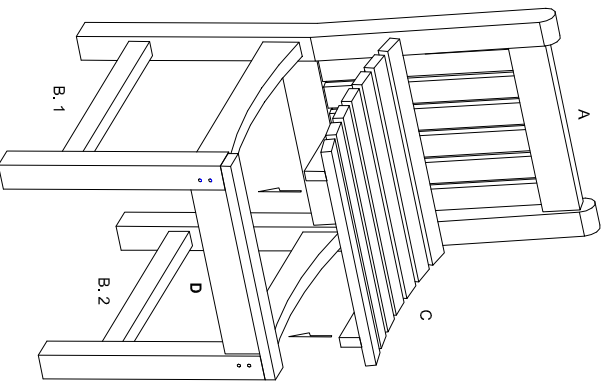
STEP 1



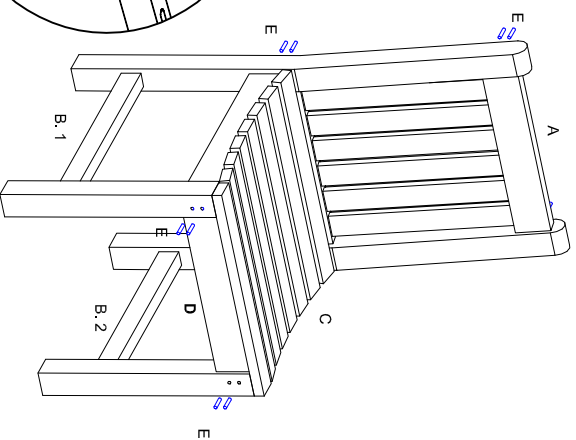
STEP 1



STEP 2



STEP 3



STEP 4

