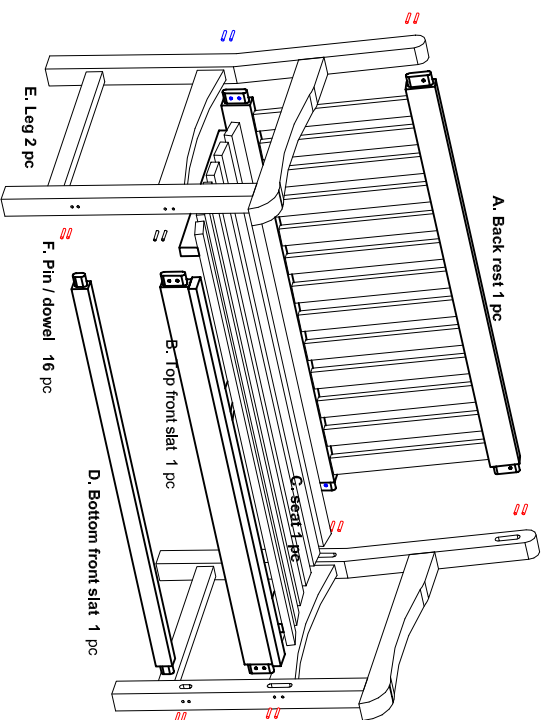


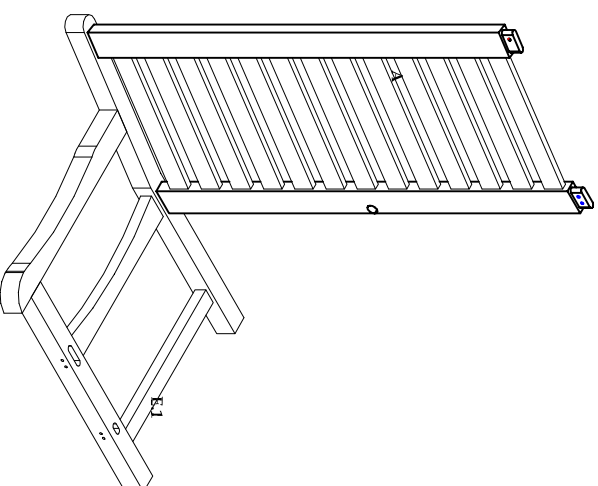
# ASSEMBLING INSTRUCTION

## CLASSIC TEAK BENCH 4"

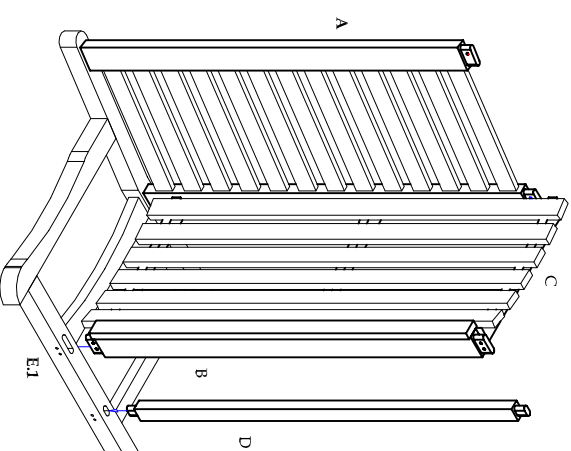
### PART AND HARDWARE



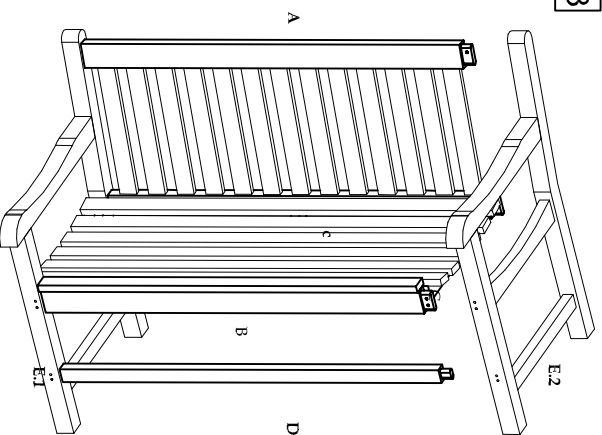
### STEP 1



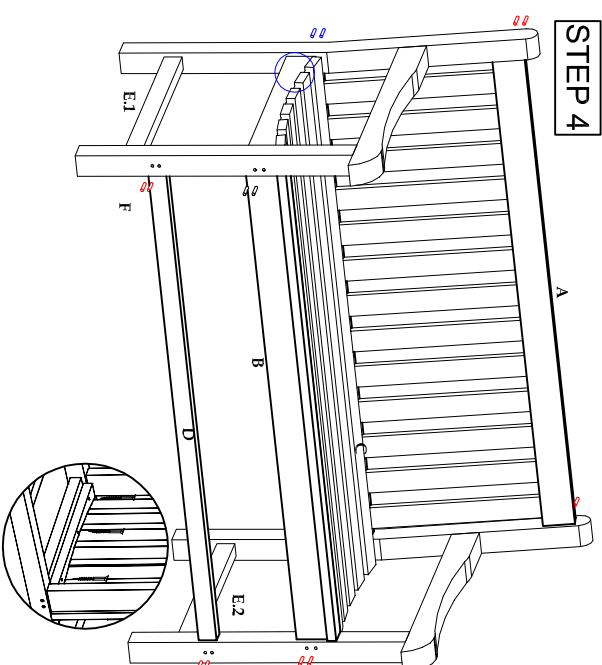
### STEP 2



### STEP 3



### STEP 4



### STEP 5

